

06A	COMPONENT OBS. CCO NO. 1503-012	BRD			06-04-00
05B	DIG SHIELD. CCO# 1503-011	CM			03/02/00
05A	CCO NO. 1503-004/005/006/007	BRD			04/11/99
04B	CHANGES AS PER 1503/001	BRD			20/08/99
03B	ADJUSTED T-CU AS PER PENTEX	BRD			03-06-99
03A	UPDATE ALC AND AFC	BRD			17-05-99
02A	SEE NOTES FILE FOR CHANGES	BRD			10/02/99
08	UPDATED MUTE CIRCUITRY	DBH			
REV/ISS	AMENDMENTS	DRAWN	CHKD	D.O.	APVD DATE

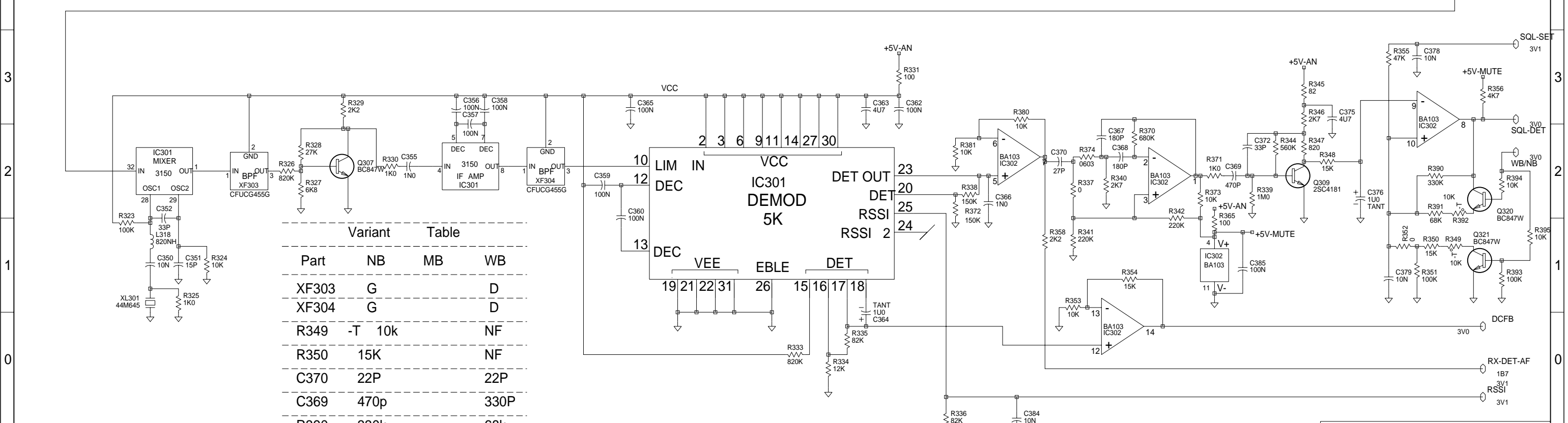
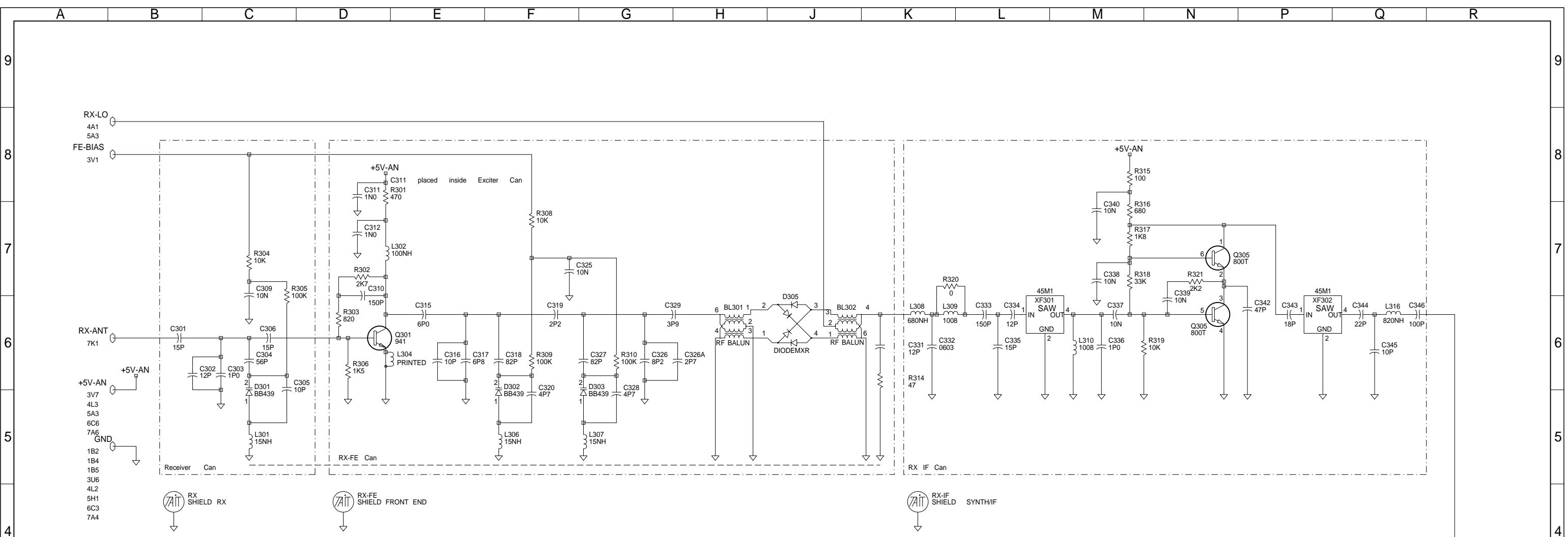
08B	CCO.NO. 1503-015	BRD			19-02-01
08A	CCO NO 1503-014	BRD			12-12-00
REV/ISS	AMENDMENTS	DRAWN	CHKD	D.O.	APVD DATE

© TAIT ELECTRONICS
 ORCA :TP010- 336-400MHZ
 SYSTEM DIAGRAM

Sub UHF

IPN: 220-01503-08
 ISSUE: B
 ID: 2.S.C. 1

PROJECT: ORCA BRD
 DESIGNER: 150308b
 FILE NAME: 23-Feb-01
 FILE DATE: 7

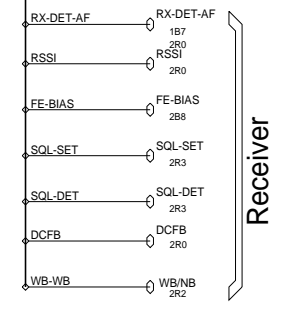
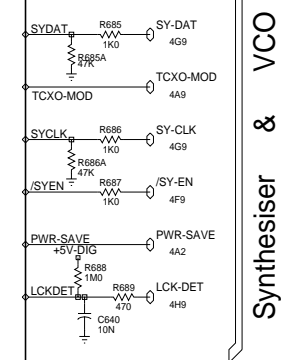
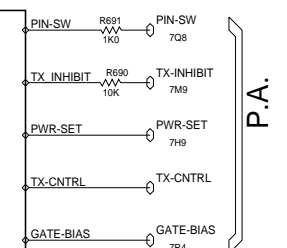
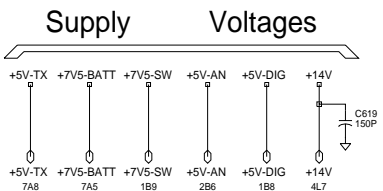
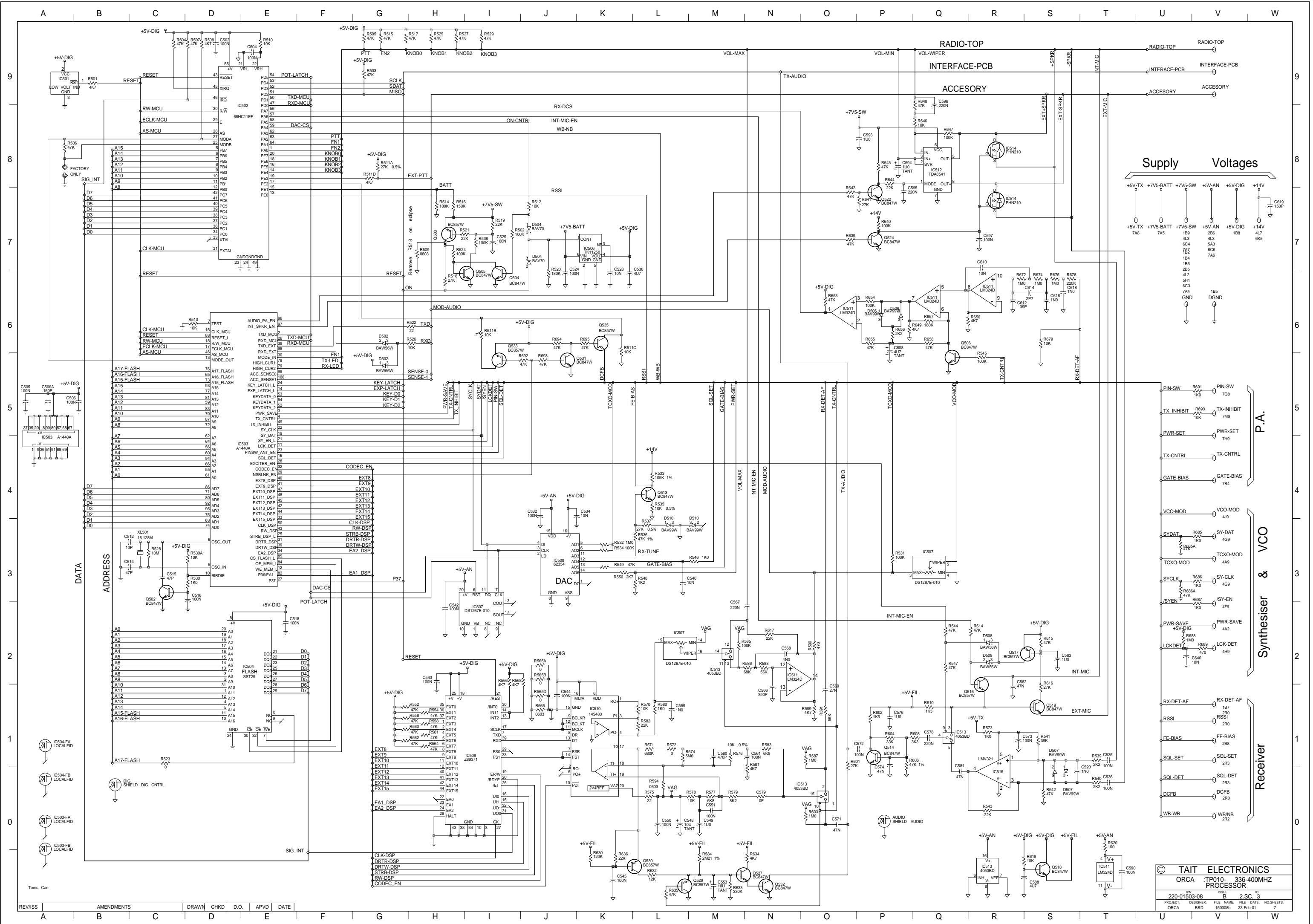


Variant Table

Part	NB	MB	WB
XF303	G		D
XF304	G		D
R349	-T	10k	NF
R350	15K		NF
C370	22P		22P
C369	470p		330P
R390	330k		68k
R355	47k		22k

© TAIT ELECTRONICS
 ORCA :TP010- 336-400MHZ RECEIVER
 IPN: 220-01503-08 ISSUE: B ID: 2.S.C. 2
 PROJECT: ORCA DESIGNER: BRD FILE NAME: 150308b FILE DATE: 23-Feb-01 NO.SHEETS: 7

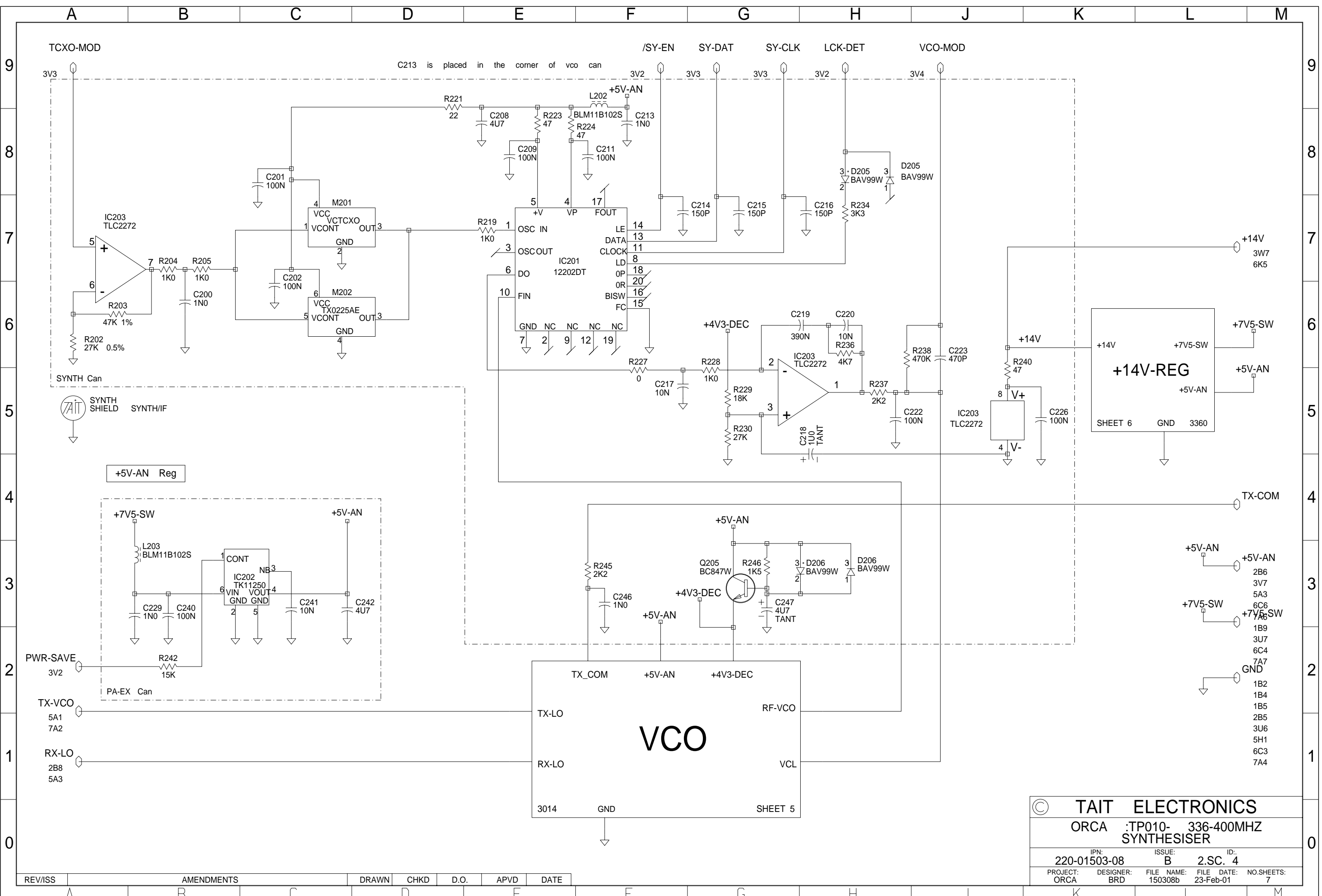
REV/ISS	AMENDMENTS	DRAWN	CHKD	D.O.	APVD	DATE



© TAIT ELECTRONICS
 ORCA :TP010- 336-400MHZ
 PROCESSOR
 220-01503-08 B 2 SC 3
 PROJECT: 220-01503-08 DESIGNER: FILE NAME: FILE DATE: NO SHEETS: 7
 ORCA BRD 150308B 23-Feb-01

REV/ISS	AMENDMENTS	DRAWN	CHKD	D.O.	APVD	DATE
A						

Toms Can



© TAIT ELECTRONICS
 ORCA :TP010- 336-400MHZ SYNTHESISER
 IPN: 220-01503-08 ISSUE: B ID: 2.SC. 4
 PROJECT: ORCA DESIGNER: BRD FILE NAME: 150308b FILE DATE: 23-Feb-01 NO.SHEETS: 7

REV/ISS	AMENDMENTS	DRAWN	CHKD	D.O.	APVD	DATE

VCO
 3014 GND SHEET 5

+14V-REG
 SHEET 6 GND 3360

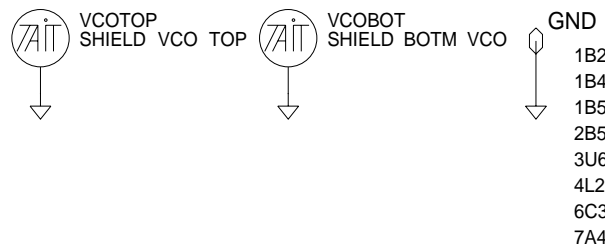
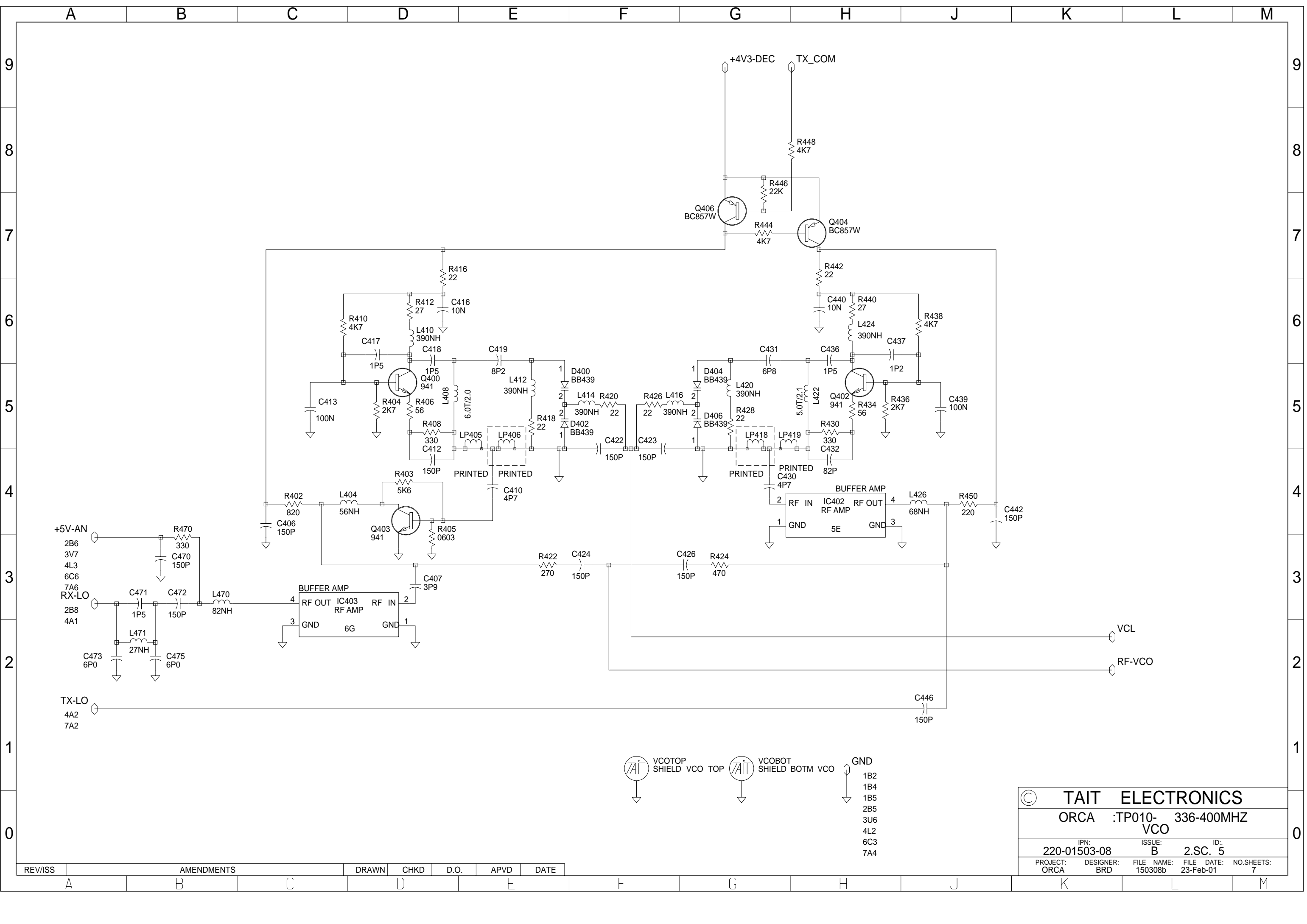
+5V-AN Reg

PA-EX Can

SYNTH Can

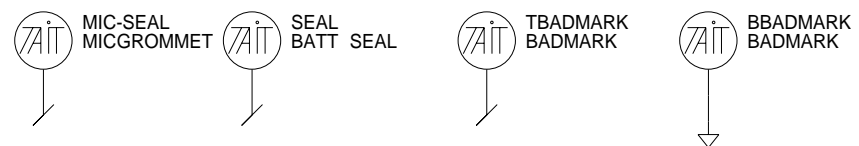
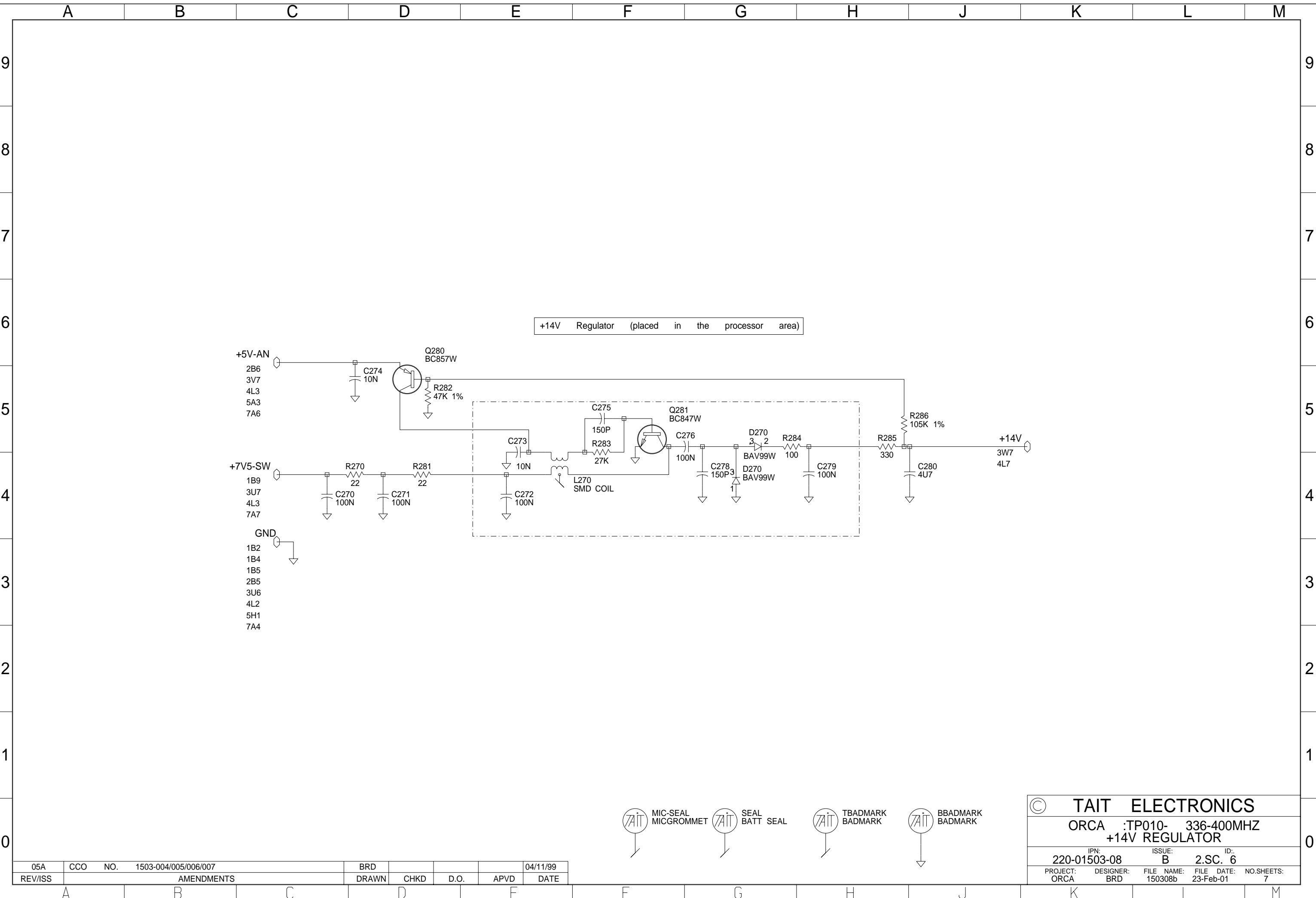
- +5V-AN 2B6
- +5V-AN 3V7
- +5V-AN 5A3
- +7V5-SW 6C6
- +7V5-SW 7A6
- +7V5-SW 1B9
- +7V5-SW 3U7
- +7V5-SW 6C4
- +7V5-SW 7A7
- GND 1B2
- GND 1B4
- GND 1B5
- GND 2B5
- GND 3U6
- GND 5H1
- GND 6C3
- GND 7A4

C213 is placed in the corner of vco can



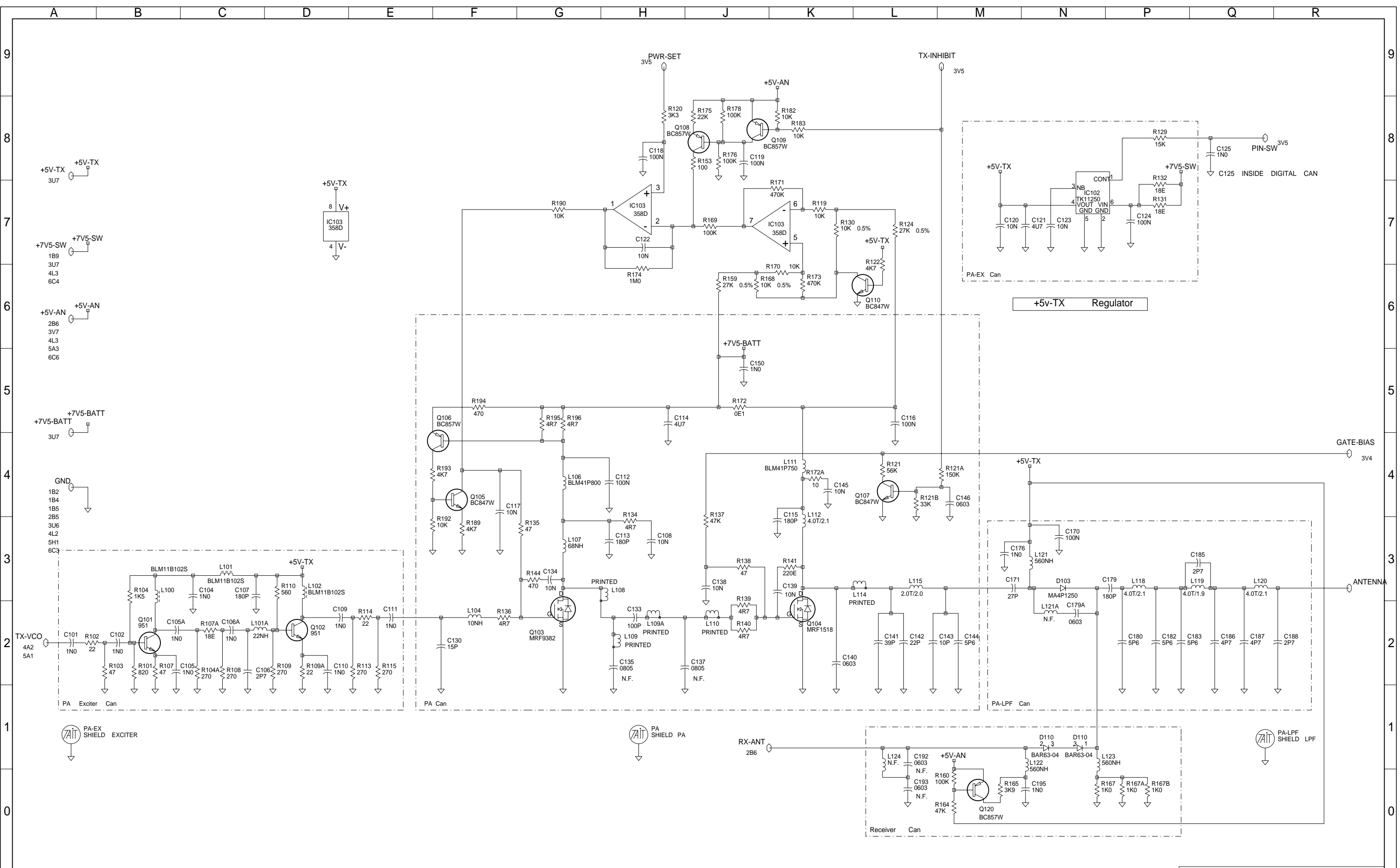
© TAIT ELECTRONICS				
ORCA		:TP010-		336-400MHZ
				VCO
IPN: 220-01503-08		ISSUE: B		ID: 2.SC. 5
PROJECT: ORCA	DESIGNER: BRD	FILE NAME: 150308b	FILE DATE: 23-Feb-01	NO.SHEETS: 7

REV/ISS	AMENDMENTS	DRAWN	CHKD	D.O.	APVD	DATE



© TAIT ELECTRONICS	
ORCA :TP010- 336-400MHZ +14V REGULATOR	
IPN: 220-01503-08	ISSUE: B
PROJECT: ORCA	DESIGNER: BRD
FILE NAME: 150308b	FILE DATE: 23-Feb-01
ID: 2.SC. 6	NO.SHEETS: 7

05A	CCO	NO. 1503-004/005/006/007	BRD				04/11/99
REV/ISS	AMENDMENTS			DRAWN	CHKD	D.O.	DATE



© TAIT ELECTRONICS
 ORCA :TP010- 336-400MHZ
 LOWCOST T3010

IPN: 220-01503-08	ISSUE: B	ID: 2.S.C. 7
PROJECT: ORCA	DESIGNER: BRD	FILE NAME: 150308b
DATE: 23-Feb-01	NO. SHEETS: 7	

REV/ISS	AMENDMENTS	DRAWN	CHKD	D.O.	APVD	DATE
A						